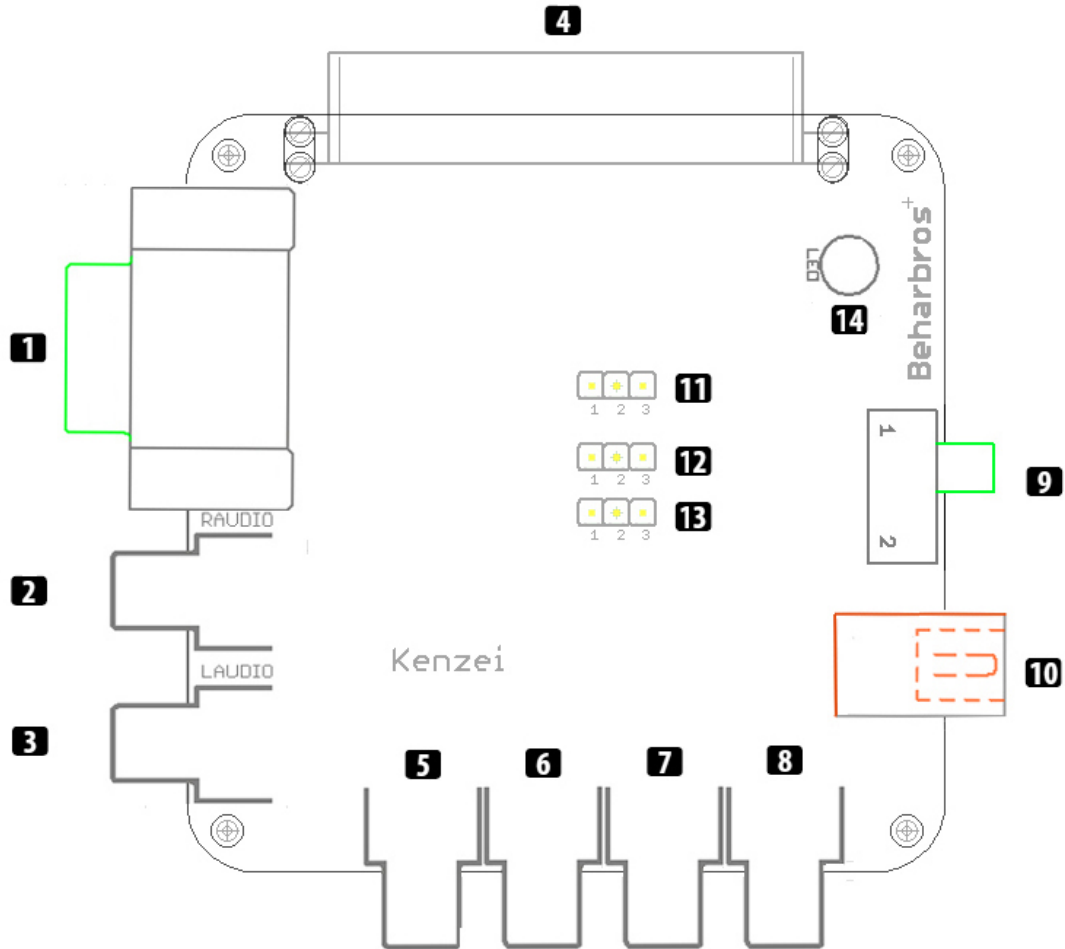


KENZEI

QUICK START GUIDE



- | | |
|--|---|
| 1. Female VGA port (HD15) for video input | 10. DC power jack |
| 2. Right Audio input jack | 11. Scart CSync mode select
(1-2 output(pin19), 2-3 input (pin20)) |
| 3. Left Audio input jack | 12. Scart Right Audio mode select
(1-2 output(pin1), 2-3 input (pin2)) |
| 4. Female Scart connector for video output | 13. Scart Left Audio mode select
(1-2 output(pin3), 2-3 input (pin6)) |
| 5,6,7,8. RCA jacks for RGBS video output | 14. Power led |
| 9. Power source select switch
(position 1 for VGA pin9, position 2 for AC/DC adapter) | |

AC/DC Adapter Specs: 9-12v with a central positive, barrel negative, 5.5mm x 2.1mm plug

