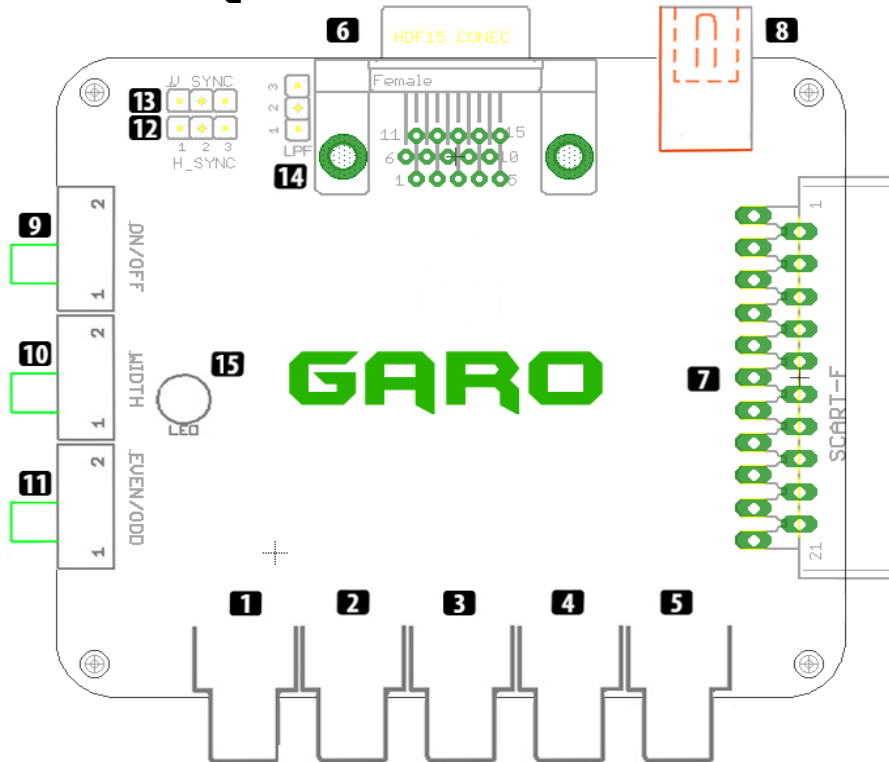


GARO

component video converter

QUICK START GUIDE



1. Component Y input (green) jack
2. Component Pb input (blue) jack
3. Component Pr input (red) jack
4. Right Audio input jack
5. Left Audio input jack
6. Female VGA port (HD15) for video output
7. Female Scart connector for video output
8. DC power jack *
9. Scanliner ON/OFF switch to turn it on or off.
10. Scanliner Width Select switch for selecting thin or thick scanlines
11. Scanliner Even/Odd Select switch for selecting even or odd scanlines.
12. HSYNC polarity jumper (1-2 for (-), 2-3 for (+)) **
13. VSYNC polarity jumper (1-2 for (-), 2-3 for (+)) **
14. LPF: internal HD low-pass filters (1-2 off, 2-3 on)
15. Power led

* AC/DC Adapter Specs: 9-12v with a central positive, barrel negative, 5.5mm x 2.1mm plug

* For some resolutions, jumpers can be changed for proper displaying

